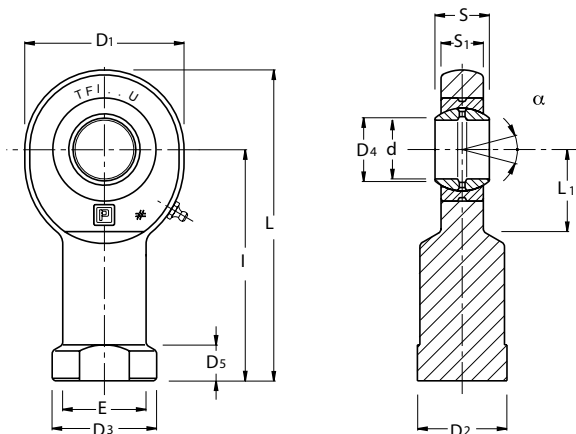


**TFI...U** (SNODO-BEARING SR...)  
(LUBRIFICABILE) / (WITH GREASE NIPPLE)

**TFI...UB** (SNODO-BEARING SRB-SRT...-2RS)  
(ESENTE LUBRIFICAZIONE) / (MAINTENANCE FREE)



TERMINALI A SNODO (SENZA FILETTATURA)  
ISO 12240-4, SERIE E TIPO F

RILUBRIFICABILI / NON RILUBRIFICABILI  
ACCOPIAMENTO: ACCIAIO SU ACCIAIO (U)  
CROMO DURO SU PTFE (UB)  
TERMINALE IN ACCIAIO C45 ZINCATO

ROD ENDS (WITHOUT THREAD)  
ISO 12240-4, SERIES E TYPE F

LUBRICATABLE / NON LUBRICATABLE  
COUPLING: STEEL/STEEL (U)  
HARD CHROMIUM ON PTFE (UB)  
HOUSING MADE OF STEEL C45 ZINC PLATED



SIGLA (*) ARTICLE (*)	d	TOLLERANZE TOLERANCES		S	D4	I	D1	D3	E	D2	D5	S1	L	L1	FATTORI DI CARICO LIMITE LOAD FACTORS		GIUOCO SNODO RADIALE RADIAL CLEARANCE (1)	ANGOLO DI OSCILLAZIONE $\alpha$ SWINGING ANGLE $\alpha$	PESO IN Kg. WEIGHT Kg.
		d	S												C	Co			
		mm.															KN	mm	$\alpha^\circ$
TFI 6 U/UB	6	0 ± -0.008	0 ± -0.12	6	8	30	21	13	10.5	11	5	4.3	40.5	10.5	3.4	8.1	0.032 - 0.068	13	0.02
TFI 8 U/UB	8	0 ± -0.008	0 ± -0.12	8	10.2	36	24	15	12.5	13	5	6	48	12	5.5	12.9	0.032 - 0.068	15	0.04
TFI 10 U/UB	10	0 ± -0.008	0 ± -0.12	9	13.2	43	29	18	15	15	6.5	7	57.5	14	8.1	17.6	0.032 - 0.068	12	0.07
TFI 12 U/UB	12	0 ± -0.008	0 ± -0.12	10	15	50	34	20	17	18	6.5	8	67	17.5	10.8	24.5	0.040 - 0.068	11	0.13
TFI 15 U/UB (2RS)	15	0 ± -0.008	0 ± -0.12	12	18.4	61	40	24	20	21	8	10	81	20	17	36	0.040 - 0.082	8	0.22
TFI 17 U/UB (2RS)	17	0 ± -0.008	0 ± -0.12	14	20.7	67	46	28	23	24	10	11	90	23	21.2	45	0.040 - 0.082	10	0.30
TFI 20 U/UB (2RS)	20	0 ± -0.010	0 ± -0.12	16	24.1	77	53	35	27.5	32	10	13	103.5	27.5	30	60	0.050 - 0.082	9	0.46
TFI 25 U/UB (2RS)	25	0 ± -0.010	0 ± -0.12	20	29.3	94	64	42	33.5	36	12	17	126	32	48	83	0.050 - 0.100	7	0.81
TFI 30 U/UB (2RS)	30	0 ± -0.010	0 ± -0.12	22	34.2	110	73	50	40	41	15	19	146.5	37	62	110	0.050 - 0.100	6	1.20
TFI 35 U/UB (2RS)	35	0 ± -0.012	0 ± -0.12	25	39.7	125	82	58	47	50	15	21	166	42	80	146	0.060 - 0.100	6	1.90
TFI 40 U/UB (2RS)	40	0 ± -0.012	0 ± -0.12	28	45	142	92	65	52	55	18	23	188	48	100	180	0.060 - 0.120	7	2.70
TFI 45 U/UB (2RS)	45	0 ± -0.012	0 ± -0.12	32	50.7	145	102	70	58	60	20	27	196	52	127	240	0.060 - 0.120	7	3.80
TFI 50 U/UB (2RS)	50	0 ± -0.012	0 ± -0.12	35	56	160	112	75	62	65	20	30	216	59	156	290	0.060 - 0.120	6	5.00
TFI 60 U/UB (2RS)	60	0 ± -0.015	0 ± -0.15	44	66.8	175	135	88	70	75	20	38	242	75	245	450	0.072 - 0.120	6	7.30
TFI 70 U/UB (2RS)	70	0 ± -0.015	0 ± -0.15	49	77.8	200	160	98	85	85	20	42	280	87	315	610	0.072 - 0.142	6	11.40
TFI 80 U/UB (2RS)	80	0 ± -0.015	0 ± -0.15	55	89.4	230	180	110	95	100	25	47	320	100	400	750	0.072 - 0.142	6	16.10

(1) GIOCO RADIALE SNODO PER TFI...U.

(2) FORNIBILI ANCHE CON SNODO SFERICO SRC..., SRL... PER TFI...U OPPURE SRLB..., SRLT...2RS, SR...TGR PER TFI... UB.

(1) RADIAL CLEARANCE BEARING FOR TFI...U.

(2) ALSO AVAILABLE WITH SPHERICAL PLAIN BEARING SRC..., SRL... FOR TFI...U OR SRLB..., SRLT...2RS, SR...TGR PER TFI... UB.