

**TFE...MKB** (SNODO-BEARING SRB...)  
**TFE...T-2RS** (SNODO-BEARING SRT...2RS)  
**TFE...T-2RS MAG.** (SNODO-BEARING SRT...2RS)  
**(SA...C; SA...TXE-2LS; SAA...TXE-2LS; GAR...UK; GAR...UK-2RS)**

TERMINALI A SNODO

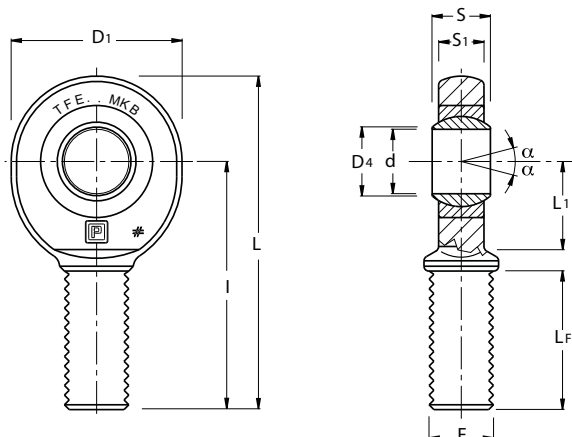
ISO 12240-4, SERIE E TIPO M  
 ESENTI DA MANUTENZIONE

ACCOPIAMENTO: ACCIAIO - CROMO DURO SU PTFE  
 TERMINALE IN ACCIAIO C45 ZINCATO

ROD ENDS

ISO 12240-4, SERIES E TYPE M  
 MAINTENANCE FREE

COUPLING: STEEL - HARD CHROMIUM ON PTFE  
 HOUSING MADE OF STEEL C45 ZINC PLATED



SIGLA (*) ARTICLE (*)	TOLLERANZE TOLERANCES		S	D4	I	D1	S1	L	L1	LF min	F	FATTORI DI CARICO LIMITE LOAD FACTORS		GIUOCO SNODO RADIALE RADIAL CLEARANCE	ANGOLO DI OSCILLAZIONE α SWINGING ANGLE α	PESO IN Kg WEIGHT kg.	
	d	S										C Dinamico	Co Statico				
mm.													KN	mm.	α°		
TFE 6 MKB	6	0 ± -0.008	0 ± -0.12	6	8	36	21	4.3	46.5	12	18	M 6X1	3.6	8.1	0 - 0.032	13	0.01
TFE 8 MKB	8	0 ± -0.008	0 ± -0.12	8	10.2	42	24	6	54	14	22	M 8X1.25	5.8	12.9	0 - 0.032	15	0.03
TFE 10 MKB	10	0 ± -0.008	0 ± -0.12	9	13.2	48	29	7	62.5	15	27	M10X1.5	8.6	17.6	0 - 0.032	12	0.05
TFE 12 MKB	12	0 ± -0.008	0 ± -0.12	10	15	54	34	8	71	19	30	M12X1.75	11.4	24.5	0 - 0.032	11	0.08
TFE 15 MKB	15	0 ± +0.008	0 ± -0.12	12	18.4	63	40	10	83	20	34	M14X2	17.6	36	0 - 0.040	8	0.14
TFE 17 MKB (T-2RS)	17	0 ± -0.008	0 ± -0.12	14	20.7	69	46	11	92	23	36	M16X2	22.4	45	0 - 0.040	10	0.19
TFE 20 MKB (T-2RS)	20	0 ± -0.010	0 ± -0.12	16	24.1	78	53	13	104.5	27.5	43	M20X1.5	31.5	60	0 - 0.040	9	0.31
TFE 25 MKB (T-2RS)	25	0 ± -0.010	0 ± -0.12	20	29.3	94	64	17	126	33	53	M24X2	51	83	0 - 0.050	7	0.56
TFE 30 MKB (T-2RS)	30	0 ± -0.010	0 ± -0.12	22	34.2	110	73	19	146.5	37	65	M30X2	65.5	110	0 - 0.050	6	0.89
TFE 35 T-2RS	35	0 ± -0.012	0 ± -0.12	25	39.7	140	82	21	181	43	82	M36X3	112	146	0 - 0.050	6	1.40
TFE 40 T-2RS	40	0 ± -0.012	0 ± -0.12	28	45	150	92	23	196	48	86	M39X3	140	180	0 - 0.060	7	1.80
TFE 45 T-2RS	45	0 ± -0.012	0 ± -0.12	32	50.7	163	102	27	218	52	94	M42X3	180	240	0 - 0.060	7	2.60
TFE 50 T-2RS	50	0 ± -0.012	0 ± -0.12	35	56	185	112	30	241	60	106	M45X3	220	290	0 - 0.060	6	3.40
TFE 60 T-2RS	60	0 ± -0.015	0 ± -0.15	44	66.8	210	135	38	277.5	75	115	M52X3	345	450	0 - 0.060	6	5.90
TFE 70 T-2RS	70	0 ± -0.015	0 ± -0.15	49	77.8	235	160	42	315	87	125	M56X4	440	610	0 - 0.072	6	8.20
TFE 80 T-2RS	80	0 ± -0.015	0 ± -0.15	55	89.4	270	180	47	360	100	140	M64X4	570	750	0 - 0.072	6	12.00
VERSIONE CON FILETTO MAGGIORATO HIGHER THREAD VERSION																	
TFE 40 T-2RS MAG.	40	0 ± -0.012	0 ± -0.12	8	45	150	92	23	196	48	86	M42X3	140	180	0 - 0.060	7	1.85
TFE 45 T-2RS MAG.	45	0 ± -0.012	0 ± -0.12	32	50.7	163	102	27	218	52	94	M45X3	180	240	0 - 0.060	7	2.66
TFE 50 T-2RS MAG.	50	0 ± -0.012	0 ± -0.12	35	56	185	112	30	241	60	106	M52X3	220	290	0 - 0.060	6	3.50
TFE 60 T-2RS MAG.	60	0 ± -0.015	0 ± -0.15	44	66.8	210	135	38	277.5	75	115	M60X4	345	450	0 - 0.060	6	6.02
TFE 70 T-2RS MAG.	70	0 ± -0.015	0 ± -0.15	49	77.8	235	160	42	315	87	125	M72X4	440	610	0 - 0.072	6	8.38
TFE 80 T-2RS MAG.	80	0 ± -0.015	0 ± -0.15	55	89.4	270	180	47	360	100	140	M80X4	570	750	0 - 0.072	6	12.20

(\*) NEL CASO DI RICHIESTA CON FILETTATURA SINISTRORSA AGGIUNGERE NEL COD. ART. LA LETTERA "L" ES. TFE... - DISPONIBILITA' E PREZZO A RICHIESTA.  
 (1) FORNIBILI ANCHE NELLA VERSIONE CON NODO SFERICO SRLB..., SRLT...-2RS, SR...TGR.

(\*) WHEN REQUIRING A LEFT-END THREAD, ADD THE LETTER "L" IN THE ARTICLE CODE, (e.g.: TFE...). AVAILABILITY AND PRICES UPON REQUEST.  
 (1) ALSO AVAILABLE WITH SPHERICAL PLAIN BEARING SRLB..., SRLT...-2RS, SR...TGR.