

SRLB...

SRLT... - 2RS

(GEH...TXE-2LS; GEH...TXA-2LS; GE...FW-2RS; GEG...ET; GEG...XT-2RS)

SNODI SFERICI RADIALI

ISO 12240-1 SERIE G

NON RICHIEDENTI MANUTENZIONE

ACCOPPIAMENTO : CROMO DURO SU PTFE

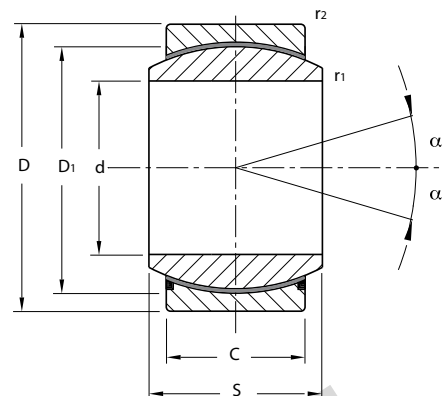
SPHERICAL PLAIN BEARINGS

ISO 12240-1 SERIES G

MAINTENANCE FREE

COUPLING:HARD CHROMIUM/PTFE

**ALTA RESISTENZA
HIGH RESISTANCE**



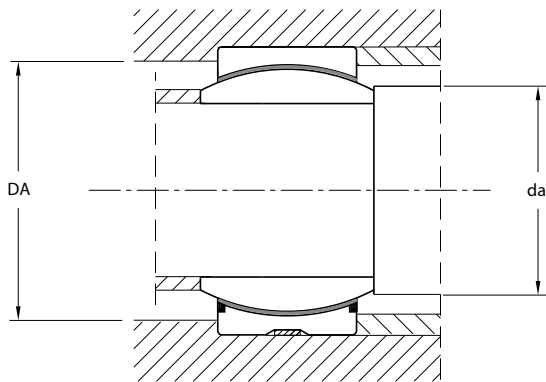
SIGLA CUSCINETTO SENZA TENUTA CODE BEARING WITHOUT PROTECTION RINGS	SIGLA CUSCINETTO CON TENUTA CODE BEARING WITH PROTECTION RINGS	d	D	S	C	TOLLERANZA TOLERANCE				r1	r2
						d	D	S	C		
mm.											
SRLB 6		6	16	9	5	0 ± -0.008	0 ± -0.008	0 ± -0.12	0 ± -0.24	0.3	0.3
SRLB 8		8	19	11	6	0 ± -0.008	0 ± -0.009	0 ± -0.12	0 ± -0.24	0.3	0.3
SRLB 10		10	22	12	7	0 ± -0.008	0 ± -0.009	0 ± -0.12	0 ± -0.24	0.3	0.3
SRLB 12		12	26	15	9	0 ± -0.008	0 ± -0.009	0 ± -0.12	0 ± -0.24	0.3	0.3
SRLB 15		15	30	16	10	0 ± -0.008	0 ± -0.009	0 ± -0.12	0 ± -0.24	0.3	0.3
SRLB 17		17	35	20	12	0 ± -0.008	0 ± -0.011	0 ± -0.12	0 ± -0.24	0.3	0.3
SRLB 20		20	42	25	16	0 ± -0.010	0 ± -0.011	0 ± -0.12	0 ± -0.24	0.6	0.6
SRLB 25		25	47	28	18	0 ± -0.010	0 ± -0.011	0 ± -0.12	0 ± -0.24	0.6	0.6
SRLB 30	SRLT 30 - 2RS	30	55	32	20	0 ± -0.010	0 ± -0.013	0 ± -0.12	0 ± -0.30	0.6	1.0
	SRLT 35 - 2RS	35	62	35	22	0 ± -0.012	0 ± -0.013	0 ± -0.12	0 ± -0.30	0.6	1.0
	SRLT 40 - 2RS	40	68	40	25	0 ± -0.012	0 ± -0.013	0 ± -0.12	0 ± -0.30	0.6	1.0
	SRLT 45 - 2RS	45	75	43	28	0 ± -0.012	0 ± -0.013	0 ± -0.12	0 ± -0.30	0.6	1.0
	SRLT 50 - 2RS	50	90	56	36	0 ± -0.012	0 ± -0.015	0 ± -0.15	0 ± -0.40	0.6	1.0
	SRLT 60 - 2RS	60	105	63	40	0 ± -0.015	0 ± -0.015	0 ± -0.15	0 ± -0.40	1.0	1.0
	SRLT 70 - 2RS	70	120	70	45	0 ± -0.015	0 ± -0.015	0 ± -0.15	0 ± -0.40	1.0	1.0
	SRLT 80 - 2RS	80	130	75	50	0 ± -0.015	0 ± -0.018	0 ± -0.20	0 ± -0.50	1.0	1.0
	SRLT 90 - 2RS	90	150	85	55	0 ± -0.020	0 ± -0.018	0 ± -0.20	0 ± -0.50	1.0	1.0
	SRLT 100 - 2RS	100	160	85	55	0 ± -0.020	0 ± -0.025	0 ± -0.20	0 ± -0.50	1.0	1.0
	SRLT 110 - 2RS	110	180	100	70	0 ± -0.020	0 ± -0.025	0 ± -0.20	0 ± -0.50	1.0	1.0
	SRLT 120 - 2RS	120	210	115	70	0 ± -0.020	0 ± -0.030	0 ± -0.25	0 ± -0.60	1.0	1.0
	SRLT 140 - 2RS	140	230	130	80	0 ± -0.025	0 ± -0.030	0 ± -0.25	0 ± -0.60	1.0	1.0
	SRLT 160 - 2RS	160	260	135	80	0 ± -0.025	0 ± -0.035	0 ± -0.25	0 ± -0.70	1.0	1.1
	SRLT 180 - 2RS	180	290	155	100	0 ± -0.025	0 ± -0.035	0 ± -0.30	0 ± -0.70	1.1	1.1
	SRLT 200 - 2RS (1)	200	320	165	100	0 ± -0.030	0 ± -0.040	0 ± -0.30	0 ± -0.80	1.1	1.1
	SRLT 220 - 2RS (1)	220	340	175	100	0 ± -0.030	0 ± -0.040	0 ± -0.30	0 ± -0.80	1.1	1.1
	SRLT 240 - 2RS (1)	240	370	190	110	0 ± -0.030	0 ± -0.040	0 ± -0.35	0 ± -0.80	1.1	1.1
	SRLT 260 - 2RS (1)	260	400	205	120	0 ± -0.035	0 ± -0.040	0 ± -0.35	0 ± -0.80	1.1	1.1
	SRLT 280 - 2RS (1)	280	430	210	120	0 ± -0.035	0 ± -0.045	0 ± -0.35	0 ± -0.90	1.1	1.1

(1)DISPONIBILITA'E PREZZO A RICHIESTA

NOTA: PER EVITARE IL DANNEGGIAMENTO O LA PERDITA DELLE PROTEZIONI (-2RS) E' NECESSARIO IMPEDIRE ALL'ANELLO INTERNO DI RUOTARE AL DI FUORI DELL'ANELLO ESTERNO. TALE AVVERTENZA SI RIFERISCE IN PARTICOLARE MODO AGLI SNODI CON ANELLO ESTERNO DIVISO IN DUE META', TENUTE INSIEME MEDIANTE UN NASTRO DI ACCIAIO.

(1) AVAILABILITY AND PRICE UPON REQUEST

NOTES: TO AVOID THE DAMAGE OR THE LOSS OF THE PROTECTION RINGS(-2RS) DO NOT ALLOW INNER BALL TO ROTATE OUT OF THE EXTERNAL HOUSING.



d	D1	ANGOLO DI OSCILLAZIONE α SWINGING ANGLE α	FATTORI DI CARICO LIMITE LOAD FACTORS		GIUOCO RADIALE RADIAL CLEARANCE	DIMENSIONI DI MONTAGGIO MOUNTING DIMENSIONS		PESO IN Kg. WEIGHT Kg.
			Dinamico Dynamic C	Statico Static Co		da max.	DA min.	
mm.		α°	KN		mm.		Kg.	
6	13	21	5.85	14.6	0 - 0.032	9.3	12.5	0.008
8	16	21	8.65	21.6	0 - 0.032	11.6	15.5	0.01
10	18	18	11.4	28.5	0 - 0.032	13.4	17.5	0.02
12	22	18	17.6	44	0 - 0.040	16.0	21	0.03
15	25	16	22.4	56	0 - 0.040	19.2	24	0.04
17	29	19	31.5	78	0 - 0.040	21.0	27.5	0.07
20	35.5	17	51	127	0 - 0.050	25.2	33	0.15
25	40.7	17	65.5	166	0 - 0.050	29.5	38	0.19
30	47	17	210	350	0 - 0.050	34.4	44.5	0.29
35	53	16	275	465	0 - 0.060	39.7	51	0.39
40	60	17	360	600	0 - 0.060	44.7	57	0.52
45	66	15	440	740	0 - 0.060	50.0	63	0.68
50	80	17	690	1150	0 - 0.060	57.1	75	1.40
60	92	17	885	1475	0 - 0.072	67.0	87	2.00
70	105	16	1125	1875	0 - 0.072	78.2	99	2.90
80	115	14	1380	2300	0 - 0.072	87.1	108	3.50
90	130	15	1720	2860	0 - 0.085	98.3	123	5.40
100	140	14	1840	3070	0 - 0.085	111.2	134	5.90
110	160	12	2685	4480	0 - 0.085	124.8	150	9.70
120	180	16	3015	5030	0 - 0.085	138.4	173	15.00
140	200	16	3845	6400	0 - 0.100	151.9	191	18.50
160	225	16	4320	7210	0 - 0.100	180.0	219	25.00
180	250	14	6000	10000	0 - 0.100	196.1	239	35.50
200	275	15	6600	11000	0 - 0.100	220.0	267	45.00
220	300	16	7200	12000	0 - 0.100	243.6	295	51.00
240	325	15	8550	14250	0 - 0.100	263.6	319	64.00
260	350	15	10050	16750	0 - 0.110	283.6	342	81.00
280	375	15	10800	18000	0 - 0.110	310.6	370	94.00