

SR...AW

(GX...F; GE...AW; GX...T)

SNODI SFERICI ASSIALI

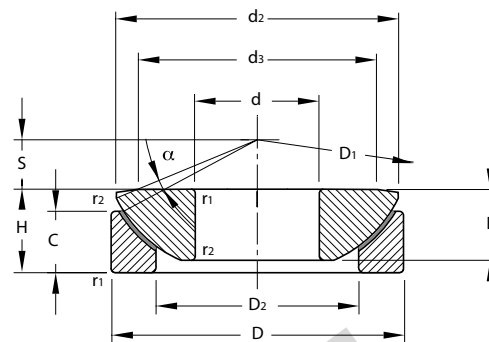
NON RICHIEDENTI MANUTENZIONE

ACCOPPIAMENTO : CROMO DURO SU PTFE

ANGULAR CONTACT SPHERICAL PLAIN BEARINGS

MAINTENANCE FREE

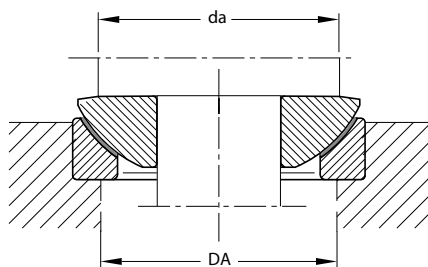
COUPLING:HARD CHROMIUM /PTFE



| SIGLA CODE | d | D | H | B | C | TOLLERANZA TOLERANCE | | | | | D1 | D2 | d2 | d3 |
|---------------|-----|-----|------|------|------|-------------------------|------------|-----------|-----------|-----------|-----|-------|-------|-----|
| | | | | | | d | D | H | B | C | | | | |
| mm. | | | | | | | | | | | | | | |
| SR 10 AW | 10 | 30 | 9.5 | 7.5 | 7 | 0 ± -0.008 | 0 ± -0.009 | 0 ± -0.30 | 0 ± -0.24 | 0 ± -0.24 | 32 | 15.5 | 27.5 | 21 |
| SR 12 AW | 12 | 35 | 13 | 9.5 | 9.3 | 0 ± -0.008 | 0 ± -0.011 | 0 ± -0.30 | 0 ± -0.24 | 0 ± -0.24 | 37 | 18 | 32 | 24 |
| SR 15 AW (1) | 15 | 42 | 15 | 11 | 10.8 | 0 ± -0.008 | 0 ± -0.011 | 0 ± -0.30 | 0 ± -0.24 | 0 ± -0.24 | 45 | 22.5 | 38.9 | 29 |
| SR 17 AW | 17 | 47 | 16 | 11.8 | 11.2 | 0 ± -0.008 | 0 ± -0.011 | 0 ± -0.30 | 0 ± -0.24 | 0 ± -0.24 | 50 | 27 | 43.4 | 34 |
| SR 20 AW | 20 | 55 | 20 | 14.5 | 13.8 | 0 ± -0.010 | 0 ± -0.013 | 0 ± -0.30 | 0 ± -0.24 | 0 ± -0.24 | 60 | 31 | 50 | 40 |
| SR 25 AW | 25 | 62 | 22.5 | 16.5 | 16.7 | 0 ± -0.010 | 0 ± -0.013 | 0 ± -0.30 | 0 ± -0.24 | 0 ± -0.24 | 66 | 34.5 | 57.5 | 45 |
| SR 30 AW | 30 | 75 | 26 | 19 | 19 | 0 ± -0.010 | 0 ± -0.013 | 0 ± -0.30 | 0 ± -0.24 | 0 ± -0.24 | 80 | 42 | 69 | 56 |
| SR 35 AW | 35 | 90 | 28 | 22 | 20.7 | 0 ± -0.012 | 0 ± -0.015 | 0 ± -0.30 | 0 ± -0.24 | 0 ± -0.24 | 98 | 50.5 | 84 | 66 |
| SR 40 AW | 40 | 105 | 32 | 27 | 21.5 | 0 ± -0.012 | 0 ± -0.015 | 0 ± -0.30 | 0 ± -0.24 | 0 ± -0.24 | 114 | 59 | 98 | 78 |
| SR 45 AW | 45 | 120 | 36.5 | 31 | 25.5 | 0 ± -0.012 | 0 ± -0.015 | 0 ± -0.30 | 0 ± -0.24 | 0 ± -0.24 | 130 | 67 | 112 | 89 |
| SR 50 AW | 50 | 130 | 42.5 | 33.5 | 30.5 | 0 ± -0.012 | 0 ± -0.018 | 0 ± -0.30 | 0 ± -0.24 | 0 ± -0.24 | 140 | 70 | 122.5 | 98 |
| SR 60 AW | 60 | 150 | 45 | 37 | 34 | 0 ± -0.015 | 0 ± -0.018 | 0 ± -0.30 | 0 ± -0.30 | 0 ± -0.30 | 160 | 84 | 140 | 108 |
| SR 70 AW | 70 | 160 | 50 | 42 | 36.5 | 0 ± -0.015 | 0 ± -0.025 | 0 ± -0.30 | 0 ± -0.30 | 0 ± -0.30 | 170 | 94.5 | 149.5 | 121 |
| SR 80 AW | 80 | 180 | 50 | 43.5 | 38 | 0 ± -0.015 | 0 ± -0.025 | 0 ± -0.30 | 0 ± -0.30 | 0 ± -0.30 | 194 | 107.5 | 168 | 130 |
| SR 100 AW | 100 | 210 | 59 | 51 | 46 | 0 ± -0.020 | 0 ± -0.030 | 0 ± -0.40 | 0 ± -0.40 | 0 ± -0.40 | 220 | 127 | 195.5 | 155 |
| SR 120 AW | 120 | 230 | 64 | 53.5 | 50 | 0 ± -0.020 | 0 ± -0.030 | 0 ± -0.40 | 0 ± -0.40 | 0 ± -0.40 | 245 | 145 | 214 | 170 |
| SR 140 AW (1) | 140 | 260 | 72 | 61 | 54 | 0 ± -0.025 | 0 ± -0.035 | 0 ± -0.50 | 0 ± -0.50 | 0 ± -0.50 | 272 | 177 | 244 | 198 |
| SR 160 AW (1) | 160 | 290 | 77 | 66 | 58 | 0 ± -0.025 | 0 ± -0.035 | 0 ± -0.50 | 0 ± -0.50 | 0 ± -0.50 | 310 | 200 | 272 | 213 |
| SR 180 AW (1) | 180 | 320 | 86 | 74 | 62 | 0 ± -0.025 | 0 ± -0.040 | 0 ± -0.50 | 0 ± -0.50 | 0 ± -0.50 | 335 | 225 | 300 | 240 |
| SR 200 AW (1) | 200 | 340 | 87 | 80 | 66 | 0 ± -0.030 | 0 ± -0.040 | 0 ± -0.60 | 0 ± -0.60 | 0 ± -0.60 | 358 | 247 | 321 | 265 |
| SR 220 AW (1) | 220 | 370 | 97 | 82 | 67 | 0 ± -0.030 | 0 ± -0.040 | 0 ± -0.60 | 0 ± -0.60 | 0 ± -0.60 | 388 | 265 | 350 | 289 |
| SR 240 AW (1) | 240 | 400 | 103 | 87 | 73 | 0 ± -0.030 | 0 ± -0.040 | 0 ± -0.60 | 0 ± -0.60 | 0 ± -0.60 | 420 | 294 | 382 | 314 |
| SR 260 AW (1) | 260 | 430 | 115 | 95 | 80 | 0 ± -0.035 | 0 ± -0.045 | 0 ± -0.70 | 0 ± -0.70 | 0 ± -0.70 | 449 | 317 | 409 | 336 |
| SR 280 AW (1) | 280 | 460 | 110 | 100 | 85 | 0 ± -0.035 | 0 ± -0.045 | 0 ± -0.70 | 0 ± -0.70 | 0 ± -0.70 | 480 | 337 | 445 | 366 |
| SR 300 AW (1) | 300 | 480 | 110 | 100 | 90 | 0 ± -0.035 | 0 ± -0.045 | 0 ± -0.70 | 0 ± -0.70 | 0 ± -0.70 | 490 | 356 | 460 | 388 |
| SR 320 AW (1) | 320 | 520 | 116 | 105 | 91 | 0 ± -0.040 | 0 ± -0.050 | 0 ± -0.80 | 0 ± -0.80 | 0 ± -0.80 | 540 | 380 | 500 | 405 |
| SR 340 AW (1) | 340 | 540 | 116 | 105 | 91 | 0 ± -0.040 | 0 ± -0.050 | 0 ± -0.80 | 0 ± -0.80 | 0 ± -0.80 | 550 | 380 | 510 | 432 |
| SR 360 AW (1) | 360 | 560 | 125 | 115 | 95 | 0 ± -0.040 | 0 ± -0.050 | 0 ± -0.80 | 0 ± -0.80 | 0 ± -0.80 | 575 | 400 | 535 | 452 |

(1) DISPONIBILITA' E PREZZO A RICHIESTA

(1) AVAILABILITY AND PRICE UPON REQUEST



| d | S | ANGOLO DI OSCILLAZIONE α SWINGING ANGLE α | FATTORI DI CARICO ASSIALE AXIAL LOADS FACTORS | | r1 | r2 | DIMENSIONI DI MONTAGGIO MOUNTING DIMENSIONS | | PESO IN Kg. WEIGHT Kg. |
|-----|------|--|--|----------------------|-----|-------|--|---------|---------------------------|
| | | | Dinamico Dynamic C | Statico Static Co | | | da max. | DA min. | |
| mm. | | α° | KN | | | | mm. | | Kg. |
| 10 | 7 | 10 | 40 | 81 | 0.6 | - 0.2 | 21 | 18.5 | 0.04 |
| 12 | 8 | 9 | 56 | 112 | 0.6 | - 0.2 | 24 | 21.5 | 0.07 |
| 15 | 10 | 7 | 79 | 160 | 0.6 | - 0.2 | 29 | 26 | 0.12 |
| 17 | 11 | 6 | 92 | 186 | 0.6 | - 0.2 | 34 | 30.5 | 0.16 |
| 20 | 12.5 | 6 | 127 | 255 | 1.0 | - 0.3 | 40 | 38 | 0.25 |
| 25 | 14 | 7 | 203 | 407 | 1.0 | - 0.3 | 45 | 39 | 0.38 |
| 30 | 17.5 | 6 | 275 | 551 | 1.0 | - 0.3 | 56 | 49 | 0.65 |
| 35 | 22 | 6 | 403 | 806 | 1.0 | - 0.3 | 66 | 57 | 1.00 |
| 40 | 24.5 | 6 | 540 | 1080 | 1.0 | - 0.3 | 78 | 64 | 1.60 |
| 45 | 27.5 | 6 | 730 | 1470 | 1.0 | - 0.3 | 89 | 74 | 2.40 |
| 50 | 30 | 5 | 840 | 1670 | 1.0 | - 0.3 | 98 | 75 | 3.30 |
| 60 | 35 | 7 | 1140 | 2280 | 1.0 | - 0.3 | 108 | 92 | 4.50 |
| 70 | 35 | 6 | 1370 | 2750 | 1.0 | - 0.3 | 121 | 102 | 5.50 |
| 80 | 42.5 | 6 | 1700 | 3410 | 1.0 | - 0.3 | 130 | 115 | 7.00 |
| 100 | 45 | 7 | 1940 | 3890 | 1.0 | - 0.3 | 155 | 141 | 10.50 |
| 120 | 52.5 | 8 | 2170 | 4560 | 1.0 | - 0.3 | 170 | 162 | 13.00 |
| 140 | 52.5 | 6 | 2700 | 5440 | 1.5 | - 0.6 | 198 | 187 | 18.00 |
| 160 | 65 | 7 | 3265 | 6250 | 1.5 | - 0.6 | 213 | 211 | 23.00 |
| 180 | 67.5 | 8 | 3700 | 7220 | 1.5 | - 0.6 | 240 | 236 | 31.00 |
| 200 | 70 | 8 | 4780 | 9150 | 1.5 | - 0.6 | 265 | 259 | 34.00 |
| 220 | 75 | 7 | 4400 | 8800 | 1.5 | - 0.6 | 289 | 279 | 44.50 |
| 240 | 77.5 | 6 | 5200 | 10400 | 1.5 | - 0.6 | 314 | 309 | 55.00 |
| 260 | 82.5 | 7 | 5400 | 10800 | 1.5 | - 0.6 | 336 | 332 | 69.00 |
| 280 | 80 | 4 | 8500 | 17000 | 3.0 | - 1.0 | 366 | 355 | 82.00 |
| 300 | 80 | 3.5 | 8650 | 17300 | 3.0 | - 1.0 | 388 | 375 | 87.00 |
| 320 | 95 | 4 | 10600 | 21200 | 4.0 | - 1.1 | 405 | 402 | 109.00 |
| 340 | 95 | 4 | 11800 | 23600 | 4.0 | - 1.1 | 432 | 402 | 114.00 |
| 360 | 95 | 4 | 12700 | 25500 | 4.0 | - 1.1 | 452 | 422 | 129.00 |