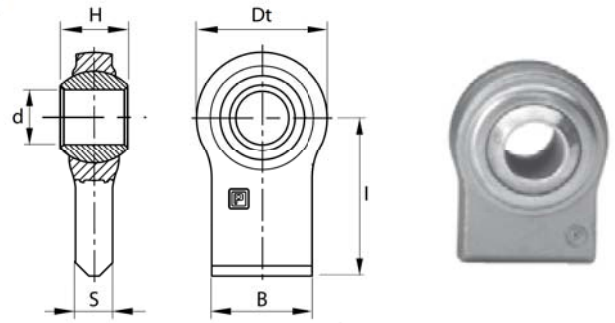


TERMINALE A SNODO SFERICO AD ESTREMITA' RETTANGOLARE - FIANCHI DIRITTI
 ACCOPIAMENTO ACCIAIO SU ACCIAIO - CORPO IN ACCIAIO C 40 UNI EN 10083-1

BALL JOINT TERMINAL WITH RECTANGULAR END
 COUPLING STEEL ON STEEL - ROD END OF STEEL C 40 UNI EN 10083-1



TYPE A

SIGLA ARTICLE	CAT.	d (A12)	H (h11)	B	S	Dt	I	TYPE	PESO IN Kg. WEIGHT Kg.
SR 10490	-	14	32	30	11	46	60	A	0.30
SR 10495	-	16	20	30	11	46	60	A	0.27
SR 10496	-	19	44	52	17	52	50	A	0.46
SR 10494	-	18	35	50	15	65	43	A	0.58
SR 10497	-	19	35	50	15	65	43	A	0.56
SR 10498	1	22.1	35	50	15	65	43	A	0.54
SR 10501	1	22.1	35	50	15	68	90	A	0.92
SR 10503	1	22.1	35	55	15	66	70	A	0.70
SR 10506	-	25.4	38	70	18	78	80	A	1.14
SR 10507	2	28.4	38	70	18	78	80	A	1.10
SR 10510	1	22.1	35	70	18	76	50	A	0.82
SR 10515	-	25.4	35	70	18	76	50	A	0.78
SR 10520	-	26	35	70	18	76	50	A	0.78
SR 10530	2	28.4	35	70	18	76	50	A	0.76
SR 10540	1	22.1	35	70	19	83	55	A	1.18
SR 10550	-	25.4	35	70	19	83	55	A	1.16
SR 10560	2	28.4	35	70	19	83	55	A	1.12
SR 10562	2	28.4	45	70	19	83	55	A	1.16
SR 10564	2	28.4	45	70	20	82	55	A	1.22
SR 10566	-	25.4	38	70	23	80	80	A	1.56
SR 10568	2	28.4	38	70	23	80	80	A	1.52
SR 10575	2	28.4	45	70	23	80	80	A	1.54
SR 10569	-	25.4	45	70	22	80	65	A	1.36
SR 10570	2	28.4	45	70	22	80	65	A	1.32
SR 10590	1/2	22.1/28.4	45	70	22	80	65	A	1.22
SR 10579	2	28.4	45	70	17	90	82	A	1.48
SR 10580	2	28.4	45	70	22	96	65	A	1.70
SR 10597	-	32	45	70	22	96	65	A	1.66
SR 10600	-	34	45	70	22	96	65	A	1.62
SR 10602	-	35	45	70	22	96	65	A	1.60
SR 10604	3	37	45	70	22	96	65	A	1.56
SR 10610	-	38	45	80	24	108	65	A	1.96
SR 10612	-	34	45	80	24	108	65	A	2.04
SR 10614	3	37	45	80	24	108	65	A	1.98
SR 10615	2	28.4	45	80	24	108	65	A	2.16
SR 10616	-	35	45	80	24	108	65	A	2.00
SR 10617	-	42	45	80	24	108	65	A	1.88