

PERNO KP.. PIN KP...

PER CERNIERA FEMMINA A FORCELLA

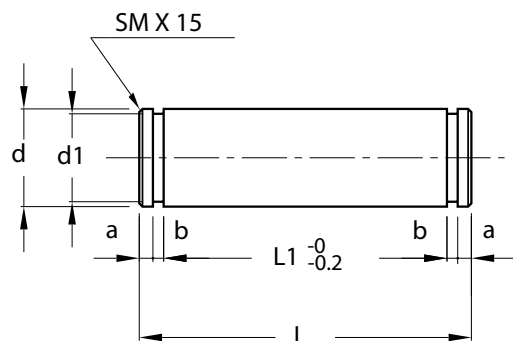
NORME: ISO 8133

MATERIALE: PR 80 (35SMnPb10) / C40

FOR FORK JOINT HINGE

STANDARD: ISO 8133

MATERIAL: PR 80 (35SMnPb10) / C40



SIGLA ARTICLE	d (f8)	L	d1	L1	a	b	USATO PER CERNIERA A FORCELLA USED FOR FORK JOINT HINGE
KP 10	10	34	9.6	29	1.40	1.10	KLP 10
KP 12	12	43	11.5	37	1.90	1.10	KLP 12
KP 14	14	51	13.4	45	1.90	1.10	KLP 14
KP 16 ÷ 20	20	73	19	66	2.20	1.30	KLP 16 / KLP 20
KP 27	28	95	26.6	87	2.40	1.60	KLP 27
KP 33	36	117	34	107	3.15	1.85	KLP 33
KP 42	45	139	42.5	129	3.15	1.85	KLP 42
KP 48	56	161	53	149	3.80	2.17	KLP 48
KP 64 ÷ 80	70	181	67	169	3.35	2.65	KLP 64 / KLP 80

(*) SU RICHIESTA DISPONIBILI CON TRATTAMENTO DI FOSFATAZIONE

(*) AVAILABLE WITH PHOSPHATING TREATMENT